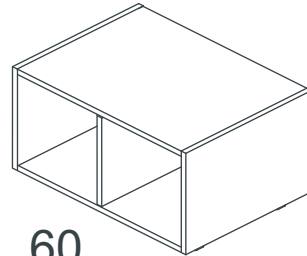
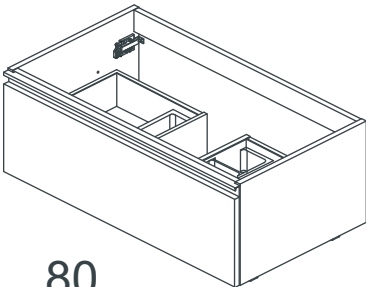


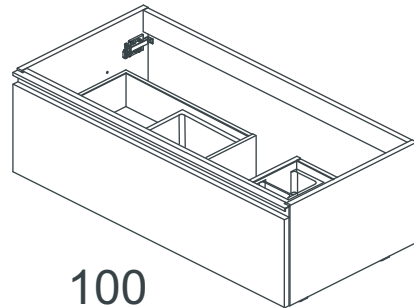
60
23 5/8"



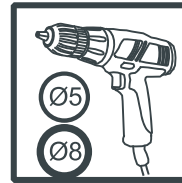
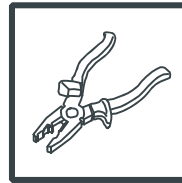
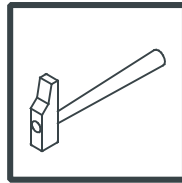
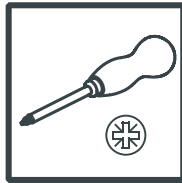
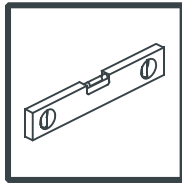
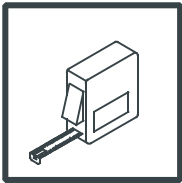
60
23 5/8"



80
31 1/2"



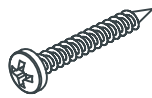
100
39 3/8"



x2

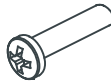


x4



x4

BO-719 1143921



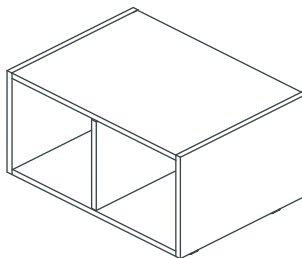
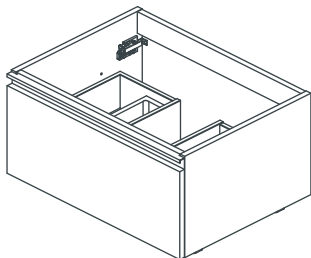
x2



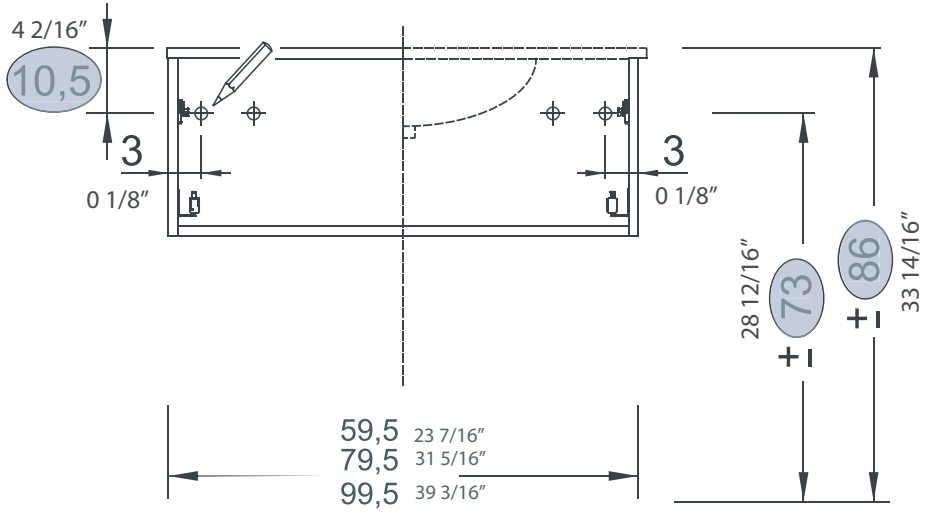
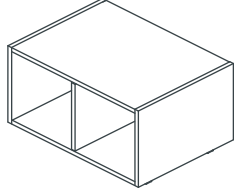
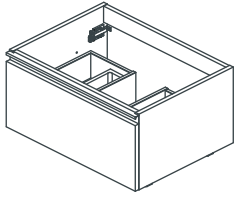
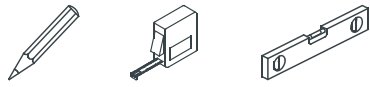
x2

BO-266 128059

01.



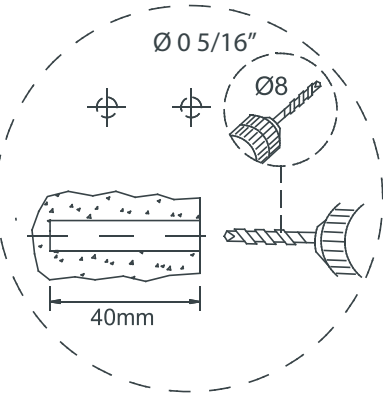
02.



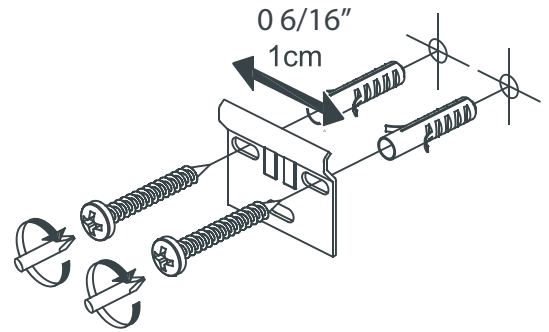
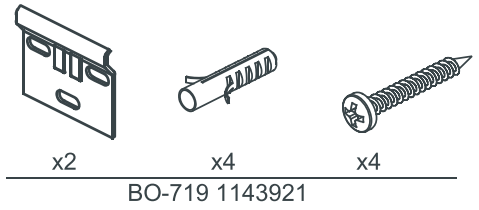
03.



03.1



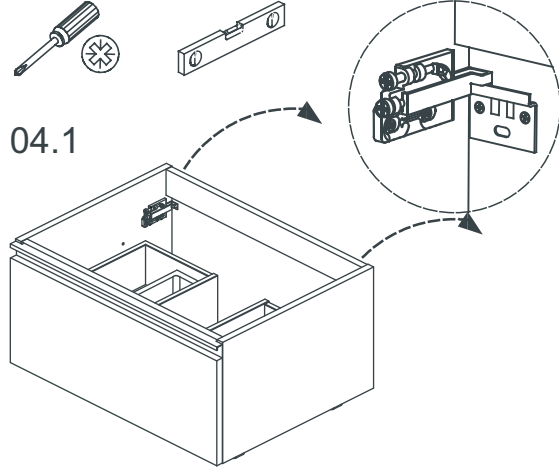
03.2



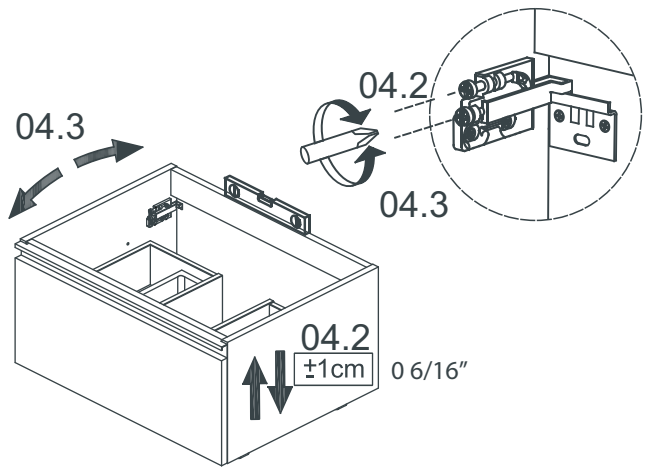
04.



04.1

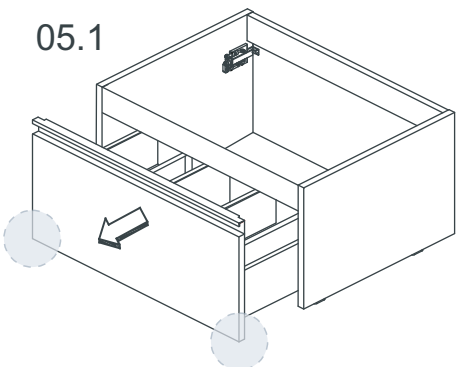


04.3

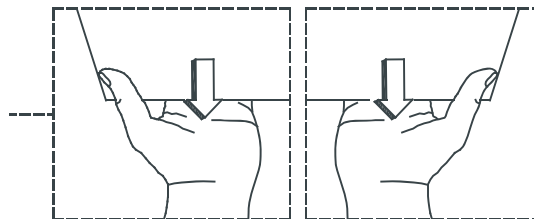


05.

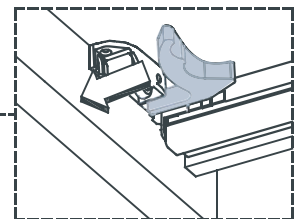
05.1



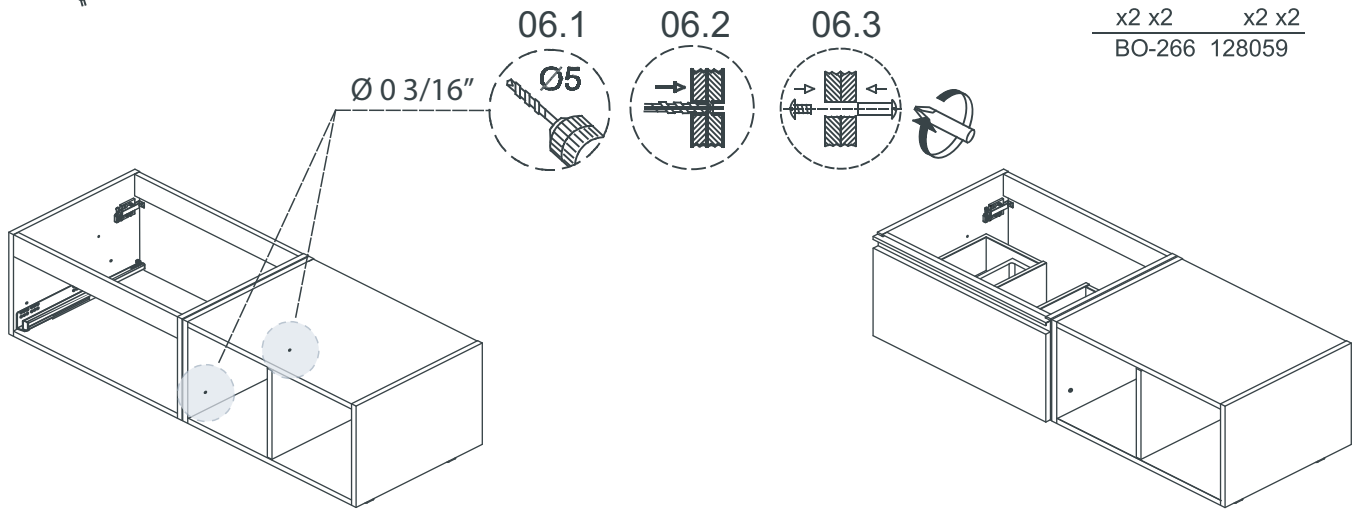
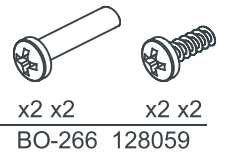
05.2



05.3



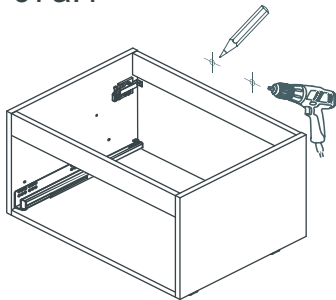
06.



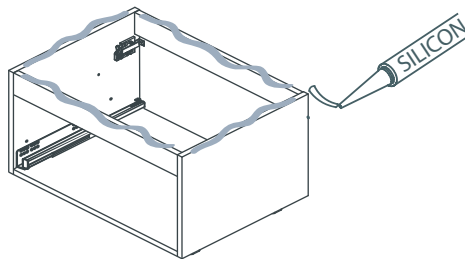
07a.



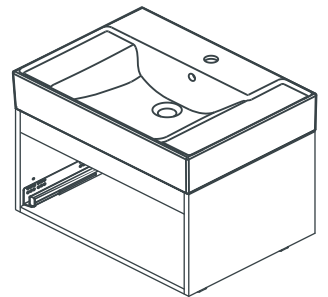
07a.1



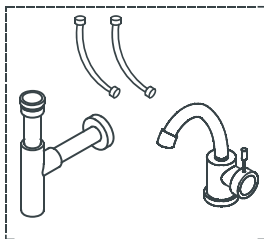
07a.2



07a.3



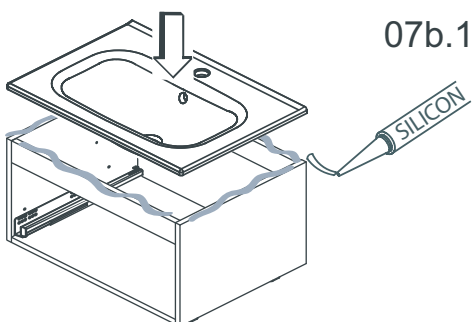
07a.4



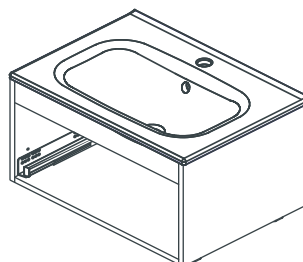
07b.



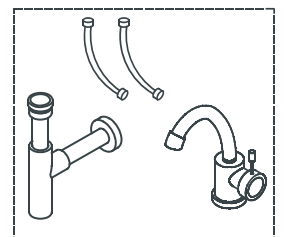
07b.2



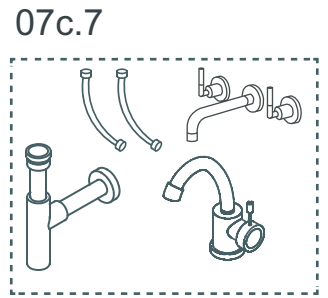
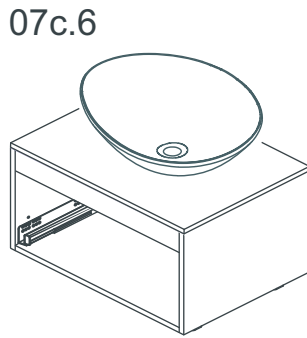
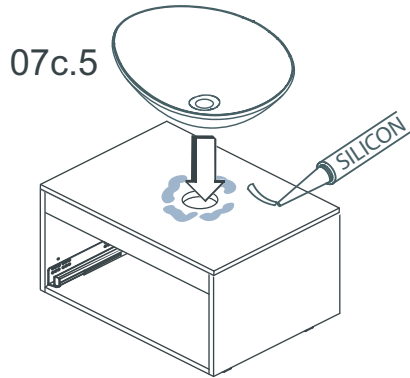
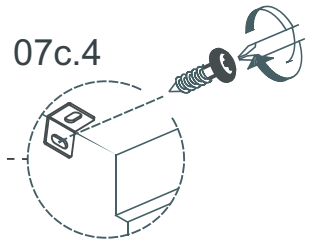
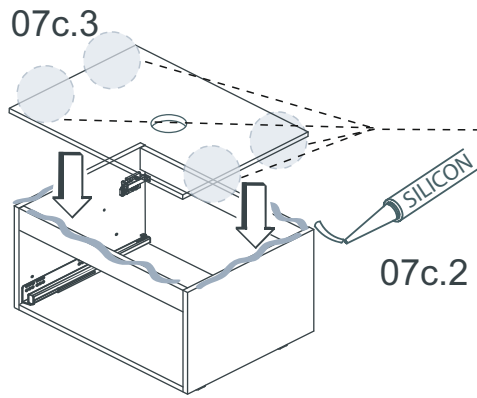
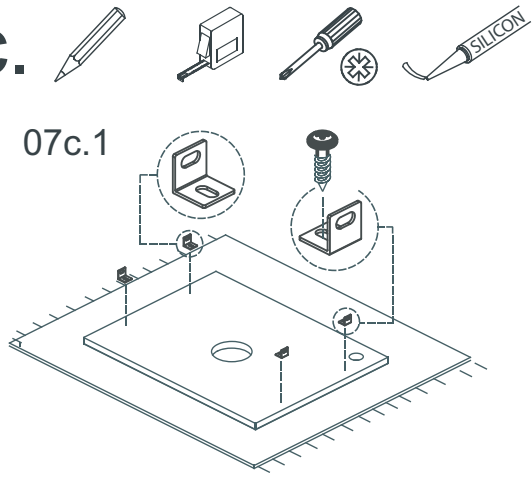
07b.3



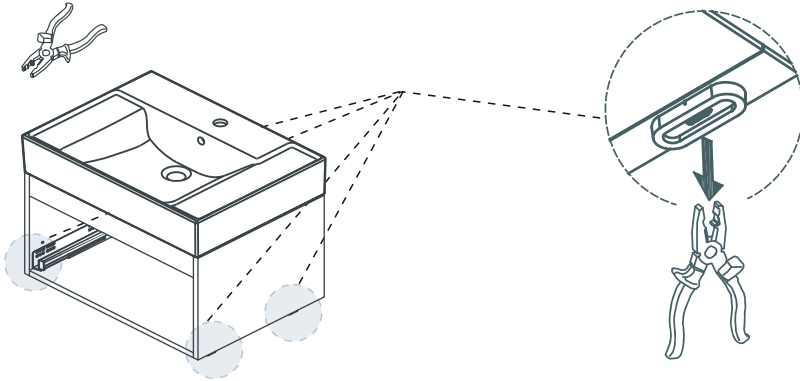
07b.4



07c.



08.



09.

