

gala

Reference G3895700
 Description Bath and shower mixer with shower set
 Collection CLUNIA



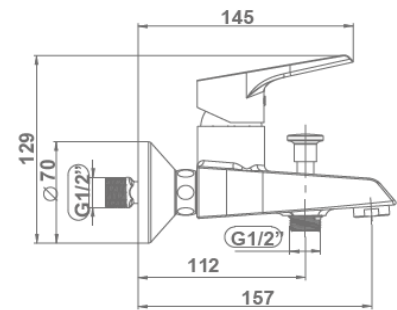
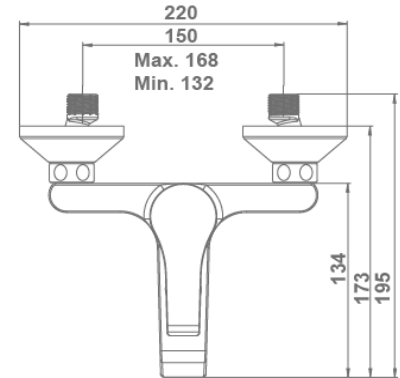
TECHNICAL SPECIFICATIONS

- Flow restrictor to 8 l/min included
- Contributes to obtaining VERDE certification through its sustainable use of water
- Produced with recycled materials
- The alloy used to produce it is included in the "European Positive List" (no migration of hazardous materials to water)
- G-Last chrome technology: high resistance against scratches

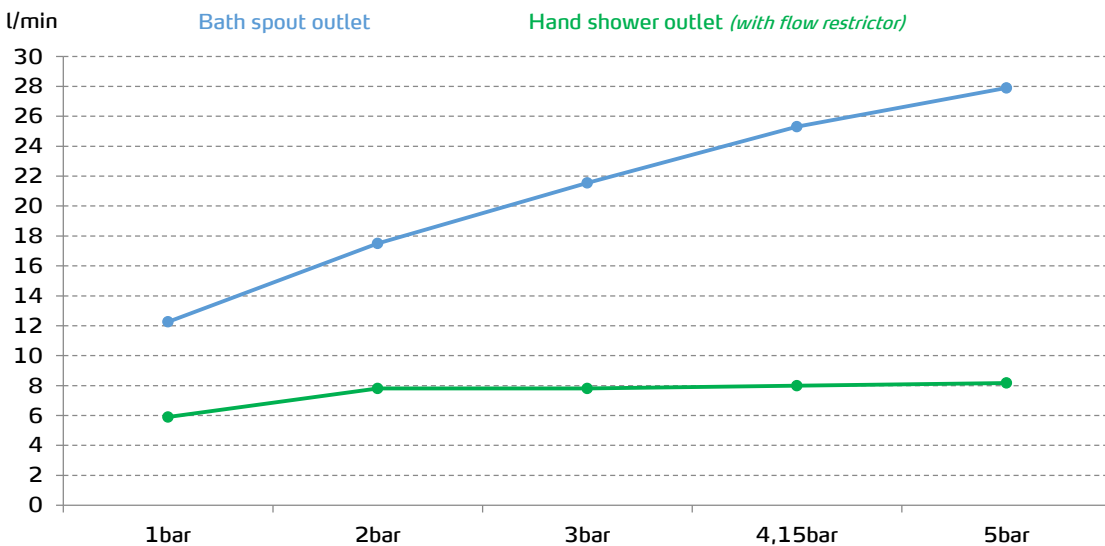
Ceramic discs cartridge $\varnothing 35$ mm

Shower set included:

- 170 cm flexible hose
- $\varnothing 10$ cm hand shower. 1 function
- Hand shower holder



FLOW RATE



Data measured in maximum flow position with mixed water