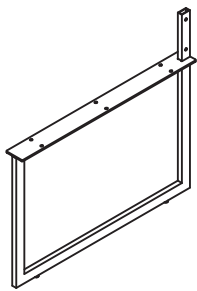
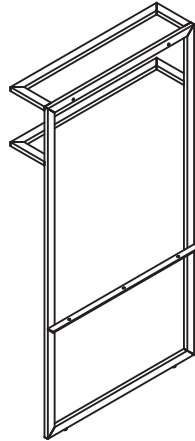


OPTION. A

OPTION. B

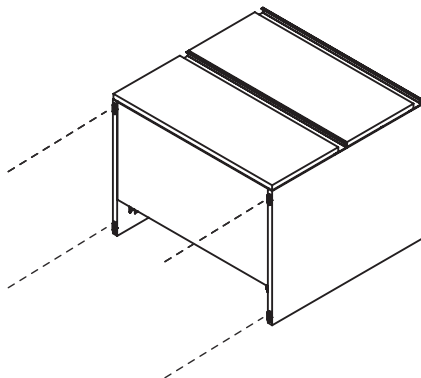
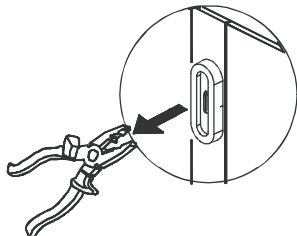


x5



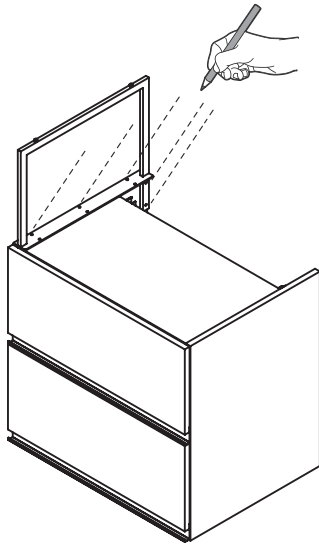
x5

01.

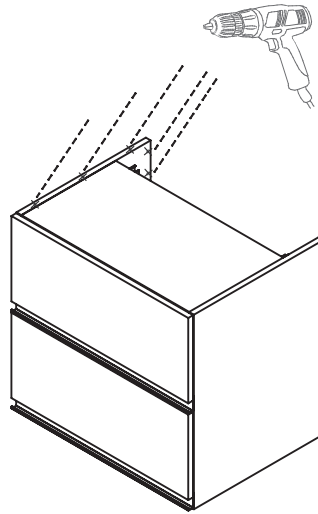


OPTION. A

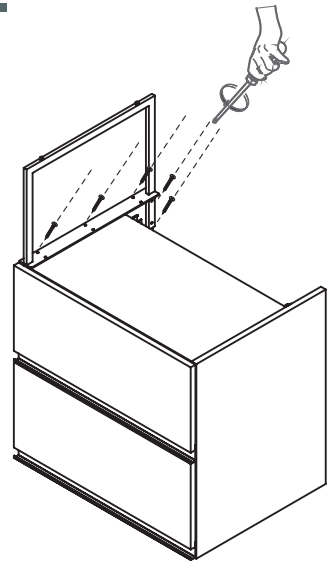
02.



03.

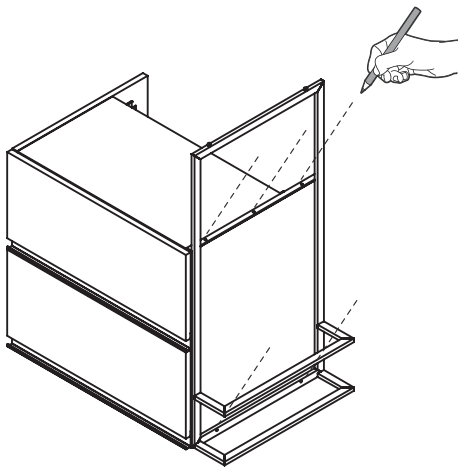


04.

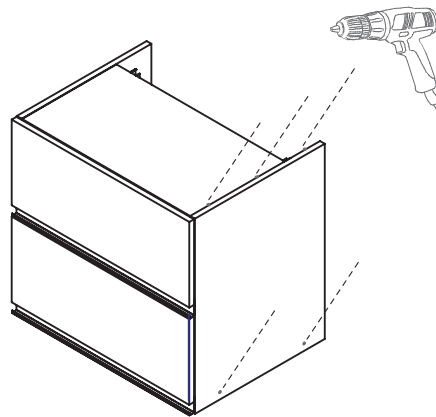


OPTION. B

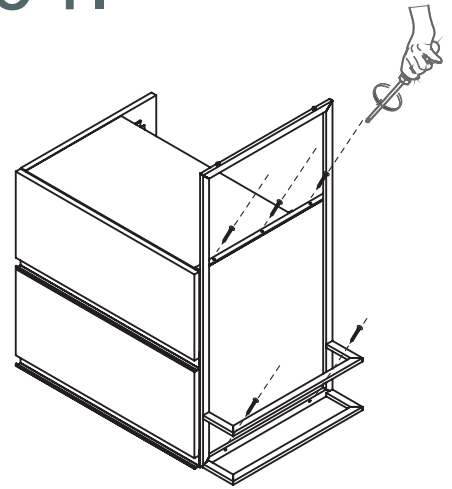
02.



03.



04.



0.5

